

NEW
YZER



Machine Room Less Elevators

NEW
YZER

▲ HYUNDAI ELEVATOR

Hyundai Elevator sets a new benchmark, moving beyond yesterday's concept of value. Yesterday's value which defined an elevator as a machine connecting vertical space, is fading. Hyundai Elevator presents a new standard that makes people feel safe, comfortable, and happy in elevators.

An elevator for the people: The mission of NEW YZER



CONTENTS

- 03 Philosophy + New Technology
- 05 Philosophy + New Space

Key Features of New YZER

- 07 Smart Indicator
- 09 Car Operating Panel / Indicator / Hall Button
- 10 Ultra Slim LED Ceiling
- 11 Handrail / Glass Steel Door
- 13 Foot Button and Other Options

Cage Design of New YZER

- 15 Philosophy + New Design
- 17 New YZER Black
- 19 New YZER Bronze
- 21 New YZER Champagne Gold
- 23 New YZER Silver

Cage Design of New YZER Deluxe

- 25 New YZER Deluxe Black
- 27 New YZER Deluxe Bronze

Specifications of New YZER

- 29 Characteristics of a Machine Room Less System
- 30 Hoistway Plan and Section
- 31 Technical Data
- 32 Works to Be Done by Other Contractors
- 33 Network



A new standard of living
and true concern for people
**Bringing people
and elevators closer**

Elevators that make people happy

Hyundai Elevator has raised these questions continuously
should an elevator be perceived only as a means of transport?
Are those convenience and attractive design should be
prioritized?

An elevator that serves as a companion to people and reflects
their needs: this is the new philosophy and technology
embraced by Hyundai Elevator's NEWYZER.

Smart Indicator

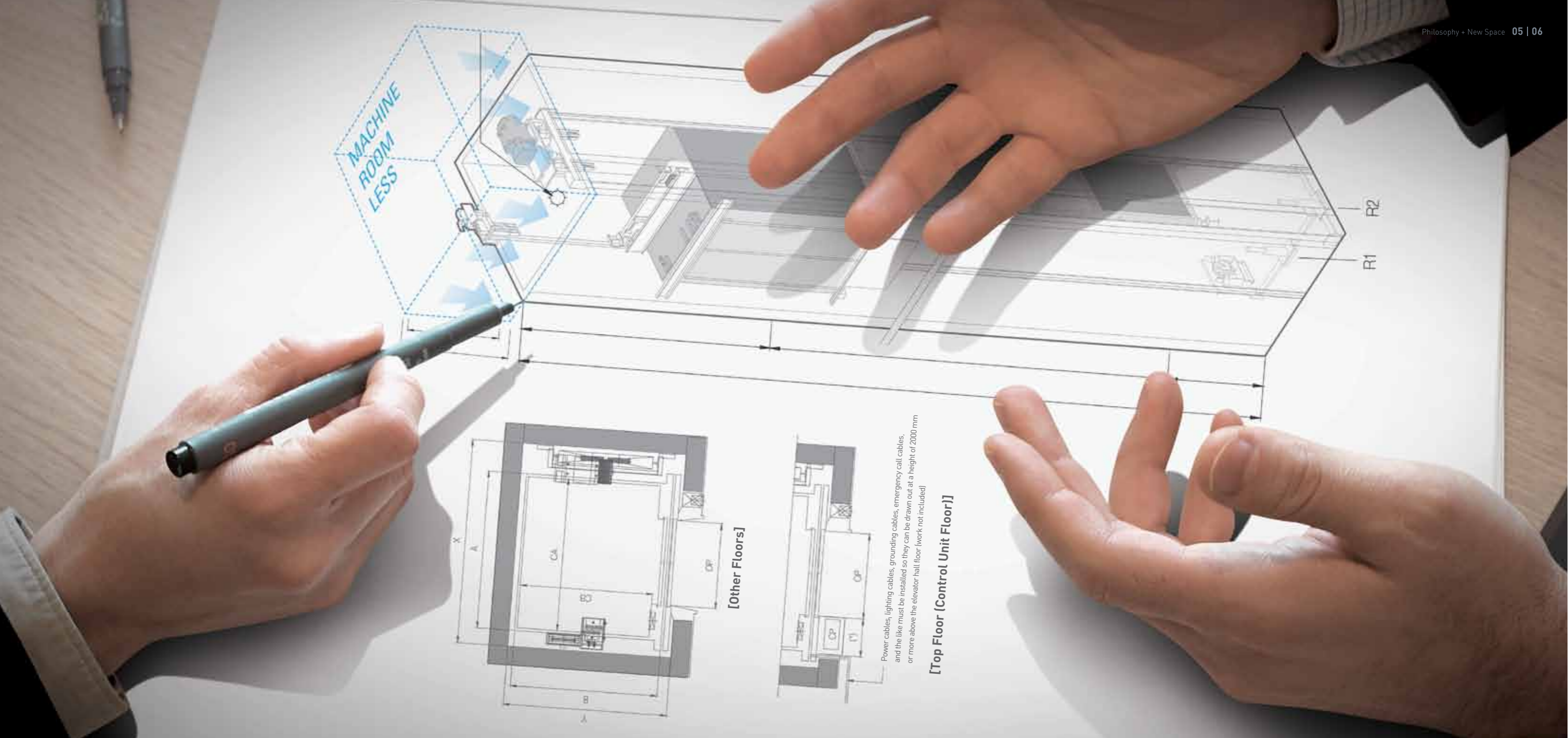
An industry first, the Smart Indicator delivers a pleasant environment in any
conditions by means of an anion double-clean system and ultrasonic
pest-repellant function. Its LCD display with an integrated CCTV assures
safer elevator operation.



Ultra Slim LED Ceiling Applied to All Products

All products are outfitted with an ultra slim LED ceiling (<50 mm), which
provides roominess in both height and width inside the elevator.





More convenient, more comfortable
Elevator that understands people

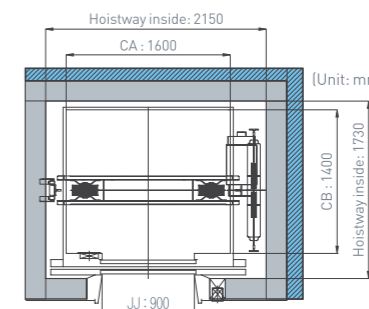
An elevator that values people and space

Efficient horizontal space that allows people to get on and off an elevator with ease, as well as a ceiling height that achieves a pleasing, soothing space: this is the philosophy of space embodied by Hyundai Elevator's NEWYZER.

High-performance, eco-friendly traction machine
 100% manufactured in Korea, the ultra-small NEWYZER traction machine delivers the world's highest standard of quality. As the essence of modern technology, it promises convenient maintenance by operating on an oil-free traction system that does not need regular oiling of its bearing unit.

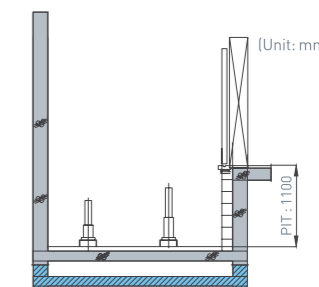


Minimized hoistway size
 Minimized hoistway size and elimination of a machine room reduce construction costs and incidental expenses to the greatest extent thanks to a shortened construction schedule.



12.5% reduction in hoistway (1000kg capacity)
 Compared with the Company's existing products

Minimized pit length (1100 mm)
 Efficient pit space with a minimized length of 1100 mm has become possible through topside arrangement of the suspension structure.



400 mm reduction in length

NEWYZER

KEY FEATURES

SMART INDICATOR



PI-L210

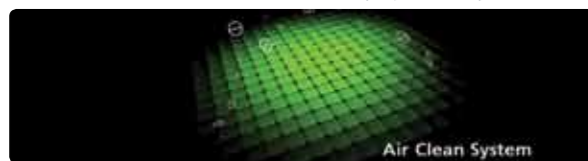
Smart care for health

Double-clean system maintains clean air in the elevator

Double-Clean System Equipped with Air-Cleaning and Antiseptic Functions

An anion-generating Air Cleaner that works year-round and an indicator combines to produce an all-in-one design. Clean interior air quality is maintained through the complete elimination of undesirable active oxygen and germs.

Visual recognition of system operation is easy since Air-Clean, Anion, and Anti-Virus are displayed in sequence.



- Over 100,000 anions are released per 1 cc of air, keeping air clean and fresh at all times.
- More than 99% of harmful substances, including viruses, are removed (after four hours' operation).
- This system achieves eliminating malodorous substances.

Promotion of interior air circulation

Alongside the Smart Indicator and the fan at the rear of the ceiling which is a cover-change type, making it easy to clear away dust and promote the circulation of inside air.



Smart care for safety

Smart Indicator helps passengers to see safety functions with their own eyes.



CCTV Security Info Display System

When CCTV is operated, the Smart Indicator displays a CCTV graphic. This prevents crime by alerting people for potential crimes in a closed space.

* CCTV Security Info Display System requires installation of CCTV (optional).



Ultrasonic Pest-Repellent Function

Colorless and odorless ultrasonic waves eradicates, mosquitoes and other pests, to create a pleasant interior space, which up to now was hard to achieve due to frequent door-opening.

Smart care for time

An LCD panel provides information that notifies elevator users of the date, time, etc.

Time/Date Info Display

An LCD display improves user convenience by providing easy access to information such as date, time, and floor. It boasts a sophisticated design and dramatically enhanced readability.



NEWYZER

KEY FEATURES

CAR OPERATING PANEL / INDICATOR / HALL BUTTON



Car Operating Panel for Disabled persons

A disabled-accessible car operating panel is finished with neat, easy-to-read buttons employing the latest design elements. Its user-friendly design allows disabled users to intuitively recognize the floor they selected.

NEWYZER Family Look

The Round Corner, which is adopted in car cage as identity of Hyundai Elevator's product matches a two-tone black and silver to complete the family look. Gentle sloping in the users' direction enables convenient operation and perception. The operating panel, indicator, and hall button all share an open-type design, allowing for easier maintenance.

Hall Button



HIP-DA64

HIP-LA64 (Option)

HPB-A64

HIP-DB64

HIP-LB64 (Option)

HPB-B64



LED CEILING



Ultra Slim LED Ceiling

Eco-friendly LED ceiling provides higher, roomier space and reduces eye fatigue.

Ultra Slim LED Ceiling (<50 mm) Applied to All Products

- Higher ceiling offers a more spacious and pleasant interior space.
- Reduced power consumption lowers maintenance costs and brighter interior space eases eye fatigue.

Indicator



PI-D800

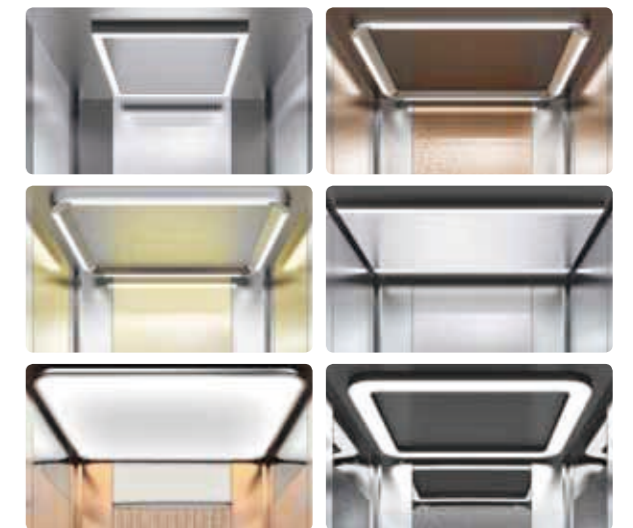
PI-L800 (Option)



PI-D700



PI-L700 (Option)



NEWYZER

KEY FEATURES & OPTIONS

HANDRAIL



Anti-Virus Handrail

Handrails are exposed to many germs through constant touching, but the use of antimicrobial materials protects users from harmful viruses.

Virus-Resistant Materials

The safest, most convenient handrails employ the latest ergonomic design and motion analysis as well as antimicrobial materials.



OPTIONS

GLASS STEEL DOOR



Bronze (GDA - A7BZ)

Silver (GDA - A8SV)



Gold (GDA - A9GD)

Master Line (GDP - MLSV)



Moru (GDP - MRBL)

Square Dot (GDA - SDGD)

NEWYZER
OPTIONS

TOUCHLESS FOOT BUTTON



The move-up function is applied to the building's first floor and below, and the move-down function to the second floor and above. Two buttons need to be installed to provide both up and down functions.



Patent Registered

World's First Touchless Foot Button

Hyundai Elevator obtained a patent on touchless foot button to enhance users convenience. It allows people who are holding something in their hands or are unable to use their arms to operate the elevator through foot movement.



HIP-DB64F

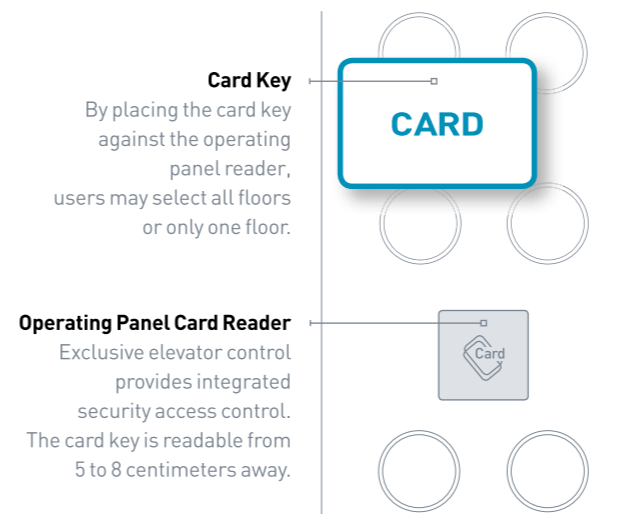
HPB-B64F

IBS SYSTEM (CARD KEY)



IBS System (Card key)

It enables effective security and crime prevention by limiting entry/exit by outsiders.



BLACK BOX-TYPE CCTV/ MULTI-BEAM DOOR SAFETY DEVICE



Black Box-Type CCTV

CCTV camera records all elevator activity including passengers, ensuring security control on a real-time basis.

Multi-Beam Door Safety Device

Multibeam sensor detects passenger movement and automatically opens the door, helping prevent accidents.

Design that blends user preferences with cutting-edge sensitivity

An elevator with a sensitive touch

Sensitive elevator that interacts with people

Hyundai Elevator places top priority on users' preferences because it considers an elevator more than a machine for moving people.

Harmonizing technology with artistry to achieve the perfect blend of beauty and comfort: this is the design philosophy behind Hyundai Elevator's NEW YZER.

NEW YZER BLACK



NEW YZER BRONZE



NEW YZER CHAMPAGNE GOLD



NEW YZER SILVER



Interior Design That Embodies Hyundai Elevator's Unique Product Design

The Round Corner, representing Hyundai Elevator's design philosophy, takes passenger safety into account while promoting a relaxing mood. The Round Corner presented by NEW YZER is applied to the walls, indicator, buttons, operating panel board, and other car features. Hyundai Elevator's unique, universal design places a priority on safe and convenient elevator use.

Design Collection

NEW YZER BLACK (NYS-BLACK)

NEW YZER's functional and contemporary design are suitable for all kinds of interiors. With its modern two-tone black and silver, it evokes a luxurious and sophisticated feel.

E2



Front image

Rear image

CAR DESIGN

- Ceiling → CD199B / Art-Metal Silver (AM01), LED Bar-Type Module (P022), Ceiling Panel (Painted Steel P021)
- Car Wall → Art-Metal Silver (AM08), NST Embo Beads, NST Titanium Black Embo Beads
- Transom Panel → Art-Metal Silver (AM08)
- Handrail → 1FG / Virus-Resistant Single Bar (Dark Gray), Aluminum Bracket
- Car Door → Art-Metal Silver (AM08)
- Car Operating Panel → OPP-N364
- Flooring → Deco Tile (DTE2904, DTE2905)
- Indicator → PI-L210 / Smart Indicator, Anion Air Cleaner, Ultrasonic Pest Repellant



201 Type

100 Type

50 Type

ENTRANCE

- 201 Type
 - Jamb → NST Hairline / 201 Type
 - Transom Panel → Art-Metal Silver (AM08)
 - Door → Art-Metal Silver (AM08)
 - Hall Button → HPB-A64
 - Indicator → PI-D700
- 100 Type
 - Jamb → ST Hairline / 100 Type
 - Door → Art-Metal Silver (AM08)
 - Hall Button → HIP-DA64
- 50 Type
 - Jamb → NST Hairline / 50 Type
 - Door → Art-Metal Silver (AM08)
 - Hall Button → HIP-DA64

Design Collection

NEW YZER BRONZE (NYS-BRONZE)

This design has a refined, classical design that imparts a regal ambiance. It goes well with elegant and dignified building interiors. Its color as Urban classic style adds to its elegance.



Front image

Rear image

CAR DESIGN

- Ceiling → CD199A / Aluminum (Silver), PC ABS, LED Lighting Ceiling Panel (Painted Steel P025)
- Car Wall → Art-Metal Bronze (AM07), NST Embo Beads
- Transom Panel → Art-Metal Bronze (AM01)
- Handrail → 1FW / Virus-Resistant Single Bar (Wood Pattern), Aluminum Bracket
- Car Door → Art-Metal Bronze (AM07)
- Car Operating Panel → OPP-N364
- Flooring → Deco Tile (DTW2952)
- Indicator → PI-L210 / Smart Indicator, Anion Air Cleaner, Ultrasonic Pest Repellent



201 Type

100 Type

50 Type

ENTRANCE

- 201 Type
 - Jamb → NST Hairline / 201 Type
 - Transom Panel → Art-Metal Bronze (AM01)
 - Door → Art-Metal Bronze (AM07)
 - Hall Button → HPB-A64
 - Indicator → PI-L700 (LCD Option)
- 100 Type
 - Jamb → NST Hairline / 100 Type
 - Door → Art-Metal Bronze (AM07)
 - Hall Button → HIP-DA64 (LCD Option)
- 50 Type
 - Jamb → NST Hairline / 50 Type
 - Door → Art-Metal Bronze (AM07)
 - Hall Button → HIP-DA64 (LCD Option)

Design Collection

NEW YZER CHAMPAGNE GOLD (NYS-GOLD)

Its modern design featuring an ornamental pattern makes the space more alluring and eye-catching. The champagne gold color which adds a sense of luxury and refinement is set off by the rhythmic floral pattern inspired by nature, to create a lively yet noble atmosphere.



Front image

Rear image

CAR DESIGN

- Ceiling → CD199A / Aluminum (Silver), PC ABS, LED Lighting Ceiling Panel (Painted Steel P021)
- Car Wall → Art-Metal Gold (AM01, AM09), NST Embo Beads
- Transom Panel → Art-Metal Gold (AM01)
- Handrail → 1FW / Virus-Resistant Single Bar (Wood Pattern), Aluminum Bracket
- Car Door → Art-Metal Gold (AM01)
- Car Operating Panel → OPP-N364
- Flooring → Deco Tile (DTE2244, DEW5717)
- Indicator → PI-L210 / Smart Indicator, Anion Air Cleaner, Ultrasonic Pest Repellent



201 Type

100 Type

50 Type

ENTRANCE

- 201 Type
 - Jamb → NST Hairline / 201 Type
 - Transom Panel → Art-Metal Gold (AM01)
 - Door → Art-Metal Gold (AM09)
 - Hall Button → HPB-A64
 - Indicator → PI-D700
- 100 Type
 - Jamb → NST Hairline / 100 Type
 - Door → Art-Metal Gold (AM09)
 - Hall Button → HIP-DA64
- 50 Type
 - Jamb → NST Hairline / 50 Type
 - Door → Art-Metal Gold (AM09)
 - Hall Button → HIP-DA64

Design Collection

NEW YZER SILVER (NYS-SILVER)

This NEW YZER matches well with a modern interior design thanks to its light, airy feel. Its young and casual look enhances a building's exquisite beauty.



Front image

Rear image

CAR DESIGN

- Ceiling → CD191A / Art-Metal Silver (AM08), LED Bar-Type Module (P022), Ceiling Panel (Painted Steel P024)
- Car Wall → Art-Metal Silver (AM01, AM08), NST Embo Beads
- Transom Panel → Art-Metal Silver (AM01)
- Handrail → 1FG / Virus-Resistant Single Bar (Dark Grey), Aluminum Bracket
- Car Door → Art-Metal Silver (AM01)
- Car Operating Panel → OPP-N364
- Flooring → Deco Tile (DTE2116, DTE2109)
- Indicator → PI-L210 / Smart Indicator, Anion Air Cleaner, Ultrasonic Pest Repellent



201 Type

100 Type

50 Type

ENTRANCE

- 201 Type
 - Jamb → NST Hairline / 201 Type
 - Transom Panel → Art-Metal Silver (AM08)
 - Door → Art-Metal Silver (AM08)
 - Hall Button → HPB-A64
 - Indicator → PI-L700 (LCD Option)
- 100 Type
 - Jamb → NST Hairline / 100 Type
 - Door → Art-Metal Silver (AM08)
 - Hall Button → HIP-DA64 (LCD Option)
- 50 Type
 - Jamb → NST Hairline / 50 Type
 - Door → Art-Metal Silver (AM08)
 - Hall Button → HIP-DA64 (LCD Option)

Design Collection

NEW YZER DELUXE BLACK (NYD-BLACK)

With a design that effortlessly unites sophistication with modernity, this exclusive version of NEW YZER imparts a clear sense of prestige. Its deluxe black interior arouses a deep impression, giving it a classy touch.



GOD DESIGN

CAR DESIGN

- Ceiling → CD399A / Barrisol, LED Lighting Lighting Unit (Painted Steel P022), Ceiling Panel (Painted Steel P024)
- Car Wall → Art-Metal Black (AM07), NST Embo Beads, Mirror
- Transom Panel → Mirror
- Handrail → 1LB/Virus-Resistant Bar (Metallic Black), Aluminum Bracket, LED Lighting
- Car Door → Art-Metal Black (AM07)
- Car Operating Panel → OPP-N464 / Mirror
- Flooring → Deco Tile (DTE2241, DTM2257)
- Indicator → PI-L210 / Smart Indicator Anion Air Cleaner, Ultrasonic Pest Repellant



Front image

Rear image

ENTRANCE

- 201 Type
 - Jamb → NST Hairline / 201 Type
 - Transom Panel → Art-Metal Black (AM01)
 - Door → Glass Steel Door (GDA-A7BL)
 - Hall Button → HPB-B64
 - Indicator → PI-L800
- 100 Type
 - Jamb → NST Hairline / 100 Type
 - Door → Art-Metal Black (AM07)
 - Hall Button → HIP-LB64
- 50 Type
 - Jamb → NST Hairline / 50 Type
 - Door → Art-Metal Black (AM07)
 - Hall Button → HIP-LB64



201 Type

100 Type

50 Type



Design Collection

NEW YZER DELUXE BRONZE (NYD-BRONZE)

This high-end NEWYZER creates an aura of exquisite handiwork that goes well with a chic, classy interior design. Its deluxe style, based on time-honored craftsmanship, arouses a sense of elegance and grace that one seldom encounters.



Front image

Rear image

CAR DESIGN

- Ceiling** → CD319A/ Aluminum (Silver), Barrisol, LED Lighting Ceiling Panel (Painted Steel P022)
- Car Wall** → Art-Metal Bronze (AM01, AM09), Mirror
- Transom Panel** → Mirror
- Handrail** → 1LB/ Virus-Resistant Bar (Metallic Black), Aluminum Bracket, LED Lighting
- Car Door** → Art-Metal Bronze (AM09)
- Car Operating Panel** → OPP-N464 / Mirror
- Flooring** → Deco Tile (DTE2127, DTE2128)
- Indicator** → PI-L210 / Smart Indicator, Anion Air Cleaner, Ultrasonic Pest Repellent

ENTRANCE

- 201 Type**
 - Jamb** → NST Hairline / 201 Type
 - Transom Panel** → Art-Metal Bronze (AM01)
 - Door** → Glass Steel Door (GDA-A9BZ)
 - Hall Button** → HPB-B64
 - Indicator** → PI-L800
- 100 Type**
 - Jamb** → NST Hairline / 100 Type
 - Door** → Art-Metal Bronze (AM09)
 - Hall Button** → HIP-DB64
- 50 Type**
 - Jamb** → NST Hairline / 50 Type
 - Door** → Art-Metal Bronze (AM09)
 - Hall Button** → HIP-DB64



201 Type

100 Type

50 Type

Minimal Space, Maximum Value!

In 1999, Hyundai Elevator introduced the YZER, Korea's first MRL (Machine Room Less) elevator. In 2015, the company rewrote MRL history with the introduction of the NEWYZER. By minimizing hoistway size, the NEWYZER reduces spatial needs while increasing customer value.



Enhanced Safety through the Application of International Standards

- Guaranteed safe operation by using ropes that meet international standards
- Ensuring safety by adopting a safety standard of at least 16 even when using 6 mm rope

Simple Installation, Fast Delivery

- Application of rail mounting-type traction system
 - Easy to set up because beam sleeve installation at top of the hoistway is not necessary
- 20% shorter installation period
 - Not necessary to build footholds at the top and bottom of the hoistway
 - Simplified process through the use of jigs for exclusive use



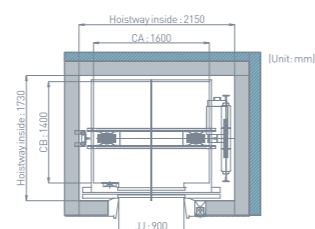
Improved safety and operating efficiency

- High-performance permanent magnet synchronous motor made in Korea
- Energy-saving
- Reduced door noise and lower maintenance costs
- Smooth and fast operating



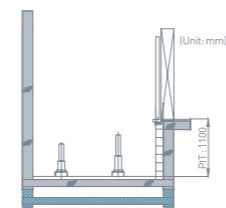
Less burden on construction design and lower construction costs

- Minimum hoistway size



12.5% reduction in hoistway (1000kg capacity elevator)

- Minimum pit depth (1100 mm)



400 mm reduction in depth

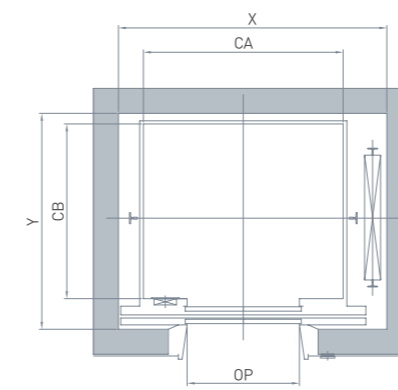
Easier maintenance and improved customer safety

- A high-performance, eco-friendly traction machine with a proven track record
 - Oil-free traction system not requiring regular oiling of the bearing unit
 - Easier to maintain because on-site brake adjustment is not necessary
 - World-leading quality through direct manufacturing in Korea using proprietary technology
- Application of DNV, CE, TÜV and CSA-certified for system

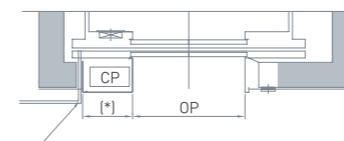
Hoistway Plan and Section

NEWYZER's hoistway, which exploits minimal space, is the product of extensive R&D by Hyundai Elevator's leading technical experts. Besides contributing to superior performance and riding comfort, it achieves a refined architectural design. The end result is the most efficient use of building space, lower construction costs, and easier maintenance.

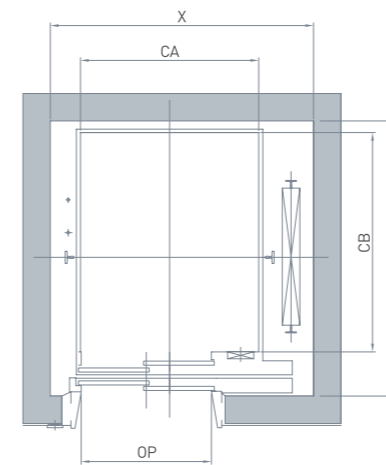
Layout of Hoistway



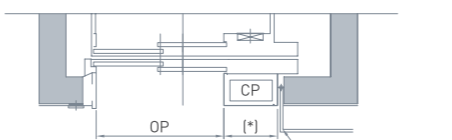
[TYPICAL FLOORS]



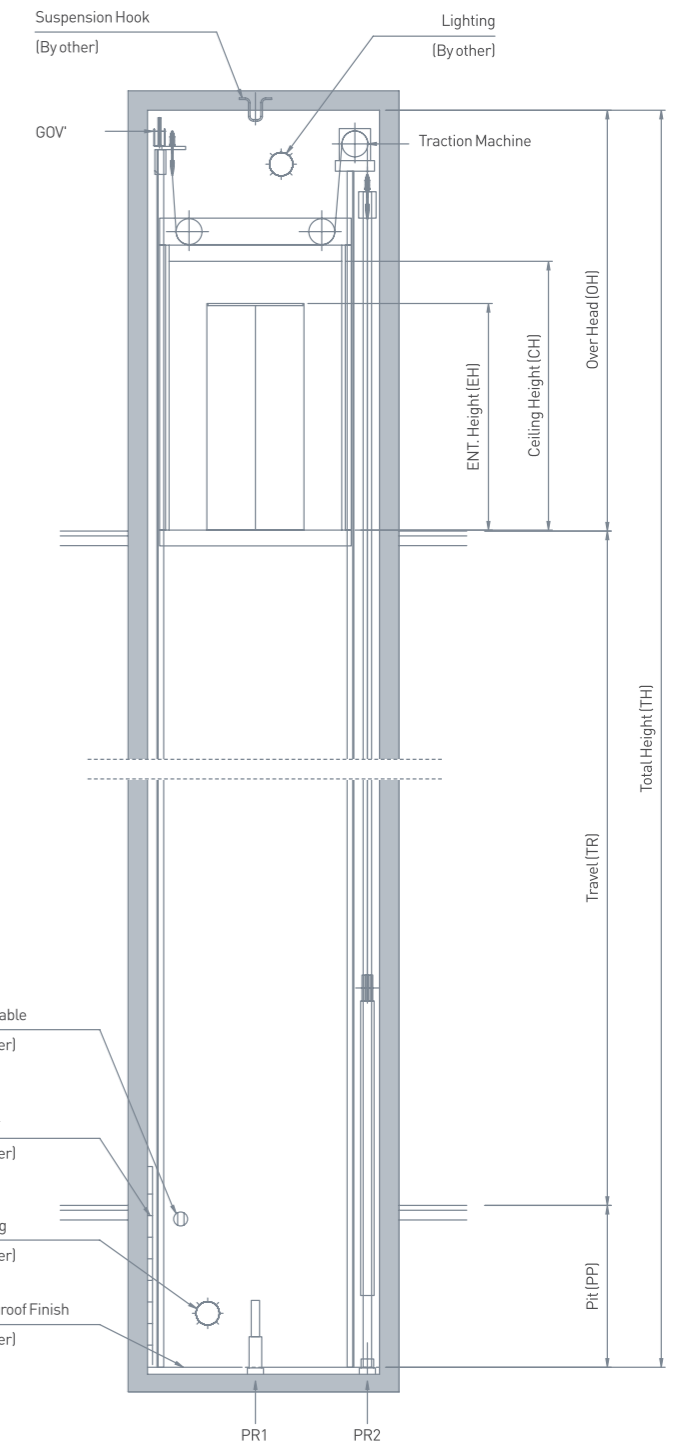
[TOP FLOOR]



[TYPICAL FLOORS]



[TOP FLOOR]



Notes:

1. The lighting of hoistway should be installed less than 500mm from above the ceiling of hoistway and within 500mm above the bottom of the pit.(By others)
2. Machine room temperature should be maintained below 40°C with ventilating fan and/or air conditioner(if necessary) and humidity below 90%

Technical Data

Standard Dimensions and Reactions

| | Speed (m/sec) | Capacity | | Opening Type | Clear Opening | Car Size (mm) | Hoistway Size (mm) | Control Panel Box (mm) | | PIT Reaction (Kg) | | | | | |
|--------|-----------------------|--------------------|------|--------------|---------------|-------------------------------|--------------------|------------------------------------|------------------------------------|-------------------|-------------|-------------|------|------|------|
| | | Persons | Kg | | | | | OP | CA x CB | X x Y | (*) | PR1 | PR2 | | |
| Center | Manufacturer Standard | 1.0 1.5 1.75 | 8 | 550 | 2P-CO | 800 | 1250 x 1150 | 2050 x 1500 | 430 | 6500 | 5400 | | | | |
| | | | 9 | 600 | | 800 | 1250 x 1240 | 2050 x 1600 | 430 | 6800 | 5600 | | | | |
| | | | 10 | 700 | | 800 | 1250 x 1350 | 2050 x 1700 | 430 | 7300 | 5900 | | | | |
| | | | 11 | 750 | | 800 | 1250 x 1450 | 2050 x 1800 | 430 | 7600 | 6100 | | | | |
| | | | 13 | 900 | | 900 | 1600 x 1350 | 2300 x 1700 | 430 (1.0 mps) 505 (1.5~1.75mps) | 8400 | 6600 | | | | |
| | | | 15 | 1000 | | 900 | 1600 x 1400 | 2300 x 1750 | 430 (1.0 mps) 505 (1.5~1.75mps) | 8900 | 6900 | | | | |
| | | | 17 | 1150 | | 1000 | 1800 x 1400 | 2400 x 1750 | 505 | 11800 | 9500 | | | | |
| | | | 20 | 1350 | | 1000 | 1800 x 1600 | 2500 x 2200 | 505 In Hoistway (1.75mps) | 13400 | 10700 | | | | |
| | 24 | 1600 | 1100 | 2000 x 1700 | 2700 x 2250 | 505 In Hoistway (1.5~1.75mps) | 14200 | 11000 | | | | | | | |
| | EN81 | 1.0 1.5 1.75 | 6 | 450 | 2P-CO | 700 | 1100 x 1100 | 1700 x 1450 | 430 | 6500 | 5400 | | | | |
| | | | 7 | 550 | | 800 | 1100 x 1300 | 1800 x 1650 | 430 | 6500 | 5400 | | | | |
| | | | 8 | 630 | | 800 | 1100 x 1400 | 1800 x 1750 | 430 | 6800 | 5600 | | | | |
| | | | | | | | 1400 x 1100 | 2000 x 1450 | 430 | 6800 | 5600 | | | | |
| | | | 9 | 700 | | 800 | 1250 x 1400 | 1850 x 1750 | 430 | 7300 | 5900 | | | | |
| | | | 10 | 800 | | 800 | 1300 x 1400 | 1900 x 1750 | 430 | 7600 | 6100 | | | | |
| | | | 12 | 900 | | 900 | 1600 x 1300 | 2200 x 1650 | 430 (1.0 mps) 505 (1.5~1.75mps) | 8400 | 6600 | | | | |
| | | | | | | | 900 | 1600 x 1400 | 2200 x 1750 | 430 (1.0 mps) | 8900 | 6900 | | | |
| | | | 13 | 1000 | | 1100 | 2100 x 1100 | 2700 x 1450 | 505 (1.5~1.75 mps) | 8900 | 6900 | | | | |
| | | | | | | | 1000 | 1800 x 1400 | 2400 x 1750 | 505 | 11800 | 9500 | | | |
| | | | 18 | 1350 | | 1000 | 1800 x 1600 | 2500 x 2200 | 505 In Hoistway (1.75mps) | 13400 | 10700 | | | | |
| | | | 21 | 1600 | | 1100 | 2000 x 1700 | 2700 x 2250 | 505 In Hoistway (1.5~1.75mps) | 14200 | 11000 | | | | |
| | | | Side | EN81 | | 1.0 1.5 1.75 | 6 | 450 | 2P-SO | 800 | 1100 x 1100 | 1700 x 1550 | 430 | 6250 | 5300 |
| | | | | | | | 7 | 550 | | 800 | 1100 x 1300 | 1700 x 1700 | 430 | 6500 | 5400 |
| | | | | | | | 8 | 630 | | 800 | 1100 x 1400 | 1700 x 1800 | 430 | 6800 | 5600 |
| 9 | | | | | | | 700 | 800 | | 1200 x 1400 | 1800 x 1800 | 430 | 7300 | 5900 | |
| 10 | 800 | 800 | | | 1300 x 1400 | | 1900 x 1800 | 430 | | 7600 | 6100 | | | | |
| 12 | 900 | 900 | | | 1300 x 1600 | | 1900 x 2000 | 430 (1.0 mps) 505 (1.5~1.75mps) | | 8400 | 6600 | | | | |
| | | | | | 900 | | 1100 x 2100 | 1700 x 2500 | | 430 (1.0 mps) | 8900 | 6900 | | | |
| 13 | 1000 | 1100 | | | 2100 x 1100 | | 2700 x 1550 | 505 (1.5~1.75 mps) | | 8900 | 6900 | | | | |
| | | | | | 1000 | | 1200 x 2200 | 1800 x 2650 | | 505 | 11800 | 9500 | | | |
| 18 | 1350 | 1100 | | | 1300 x 2300 | | 2000 x 2750 | 505 In Hoistway (1.75mps) | | 13400 | 10700 | | | | |
| 21 | 1600 | 1200 | | | 1400 x 2400 | | 2100 x 2850 | 505 In Hoistway (1.5~1.75mps) | | 14200 | 11000 | | | | |

- For dimensions other than standard specifications, please contact us.
- The above hoistway dimensions represent minimum requirements. In the event of a discrepancy in construction, demolition and rebuilding shall be performed by other contractors.
- When the height between elevator hall sills exceeds 11 m, an emergency exit or battery device must be applied to the hoistway. For inquiries, please consult with us.
- The double entrance type can be used in certain cases only. For inquiries about hoistway size, please consult with us.
- In case the emergency stop equipment is applied to the counter weight, please contact us for inquiries.
- If hoistway has a steel frame structure, components must have a value equal to or greater than the reaction force on rails. Please contact us for inquiries.

Overhead & Pit Depth [unit: mm]

| Duty Load (kg) | Speed (m/s) | Overhead (OH) | Pit Depth (PP) |
|----------------|-------------|---------------|----------------|
| 450 ~ 1150 | 1.0 | CH+1300 | 1100 |
| | 1.5 | CH+1400 | 1300 |
| | 1.75 | CH+1500 | 1350 |
| 1350 ~ 1600 | 1.0 | CH+1400 | 1200 |
| | 1.5 | CH+1600 | 1350 |
| | 1.75 | CH+1700 | 1400 |

- Above dimensions are applied base on standard car size & opening size. For other applicable dimensions, please contact us.
- In case of 1.0 m/s, Pit depth should be increased 200mm to apply the compensation device.
- When non-standard capacities and dimensions are required to meet the local code, Please consult us.

Works to Be Done by Other Contractors

The following works of building and electrical are not included in the elevator contract, and shall be performed by other contractors.

Building Work

• Hoistway

- Drilling holes in the walls near the elevator entrance on each floor (for the entrance, hall button, hall lantern, etc.) and wall & floor-finish work after elevator installation (including mortar grouting)
- Installation of steel reinforcement to fix jambs on the left and right sides of the entrance
- Installation of ladder for pit inspection
- Finish work after waterproofing of the inside of pit and mounting of the buffer
- Supply and installation of hoistway enclosure or separating beam materials (when necessary)
- Construction of concrete or beam-structured hoistway walls (at least 150 mm thick) where rail brackets can be fixed
- Removal of wedge pins and molds from, and cleaning of, hoistway walls
- Provision of space (at no cost) where construction equipment and materials can be stored
- Destruction of concrete structures which are inconsistent with design plans and necessary finish work
- Installation of lighting fixtures in the hoistway (minimum 100 lux lights to be installed at top and bottom of the hoistway)
- Hoisting beam or hook installation to lift machines to the top of hoistway ceiling
- Miscellaneous (as indicated in drawings)

Electrical Work

• Hoistway

- Electrical outlet wiring
- Piping and wiring for electric wires from the monitoring system to the hoistway if such a system is set up
- Piping and wiring for electric wires if a CCTV is installed
- Miscellaneous (as indicated in drawings)
- Power and lighting wiring for the power supply in the hoistway (For installed power capacity, please see drawings for power system construction to be done by other contractors.)
- Installation of a power distribution box including N.F.B. in the electrical room for elevator use (It shall be installed near the hoistway. For installed power capacity, please see drawings for power system construction to be done by other contractors.)
- Power system construction that maintains the line voltage fluctuation of a power-distribution source and a light within the range of +5% to -10% and with in ±2% respectively
- Piping and wiring for outlets used for pit inspection lighting
- Power supply for construction and test operation during installation (at no cost)
- Piping and wiring for an emergency call apparatus between the elevator control unit and the central control room/security office (electric wire specifications: per elevator unit; UTP 0.5 mm x 2P)

* If a steel frame-structured hoistway is set up, please contact us for hoistway planning and other details.

Power Supply Plan

[220V/380V]

| Load (kg) | Speed (m/s) | MotorCapacity (kW) | MCCB Capacity of Building (A) | | Power Supply Capacity (kVA) | | Power Cable Size (mm ²) | | Earth Wire Size (mm ²) | | Starting Power (kVA/car) |
|-----------|-------------|--------------------|-------------------------------|---------|-----------------------------|--------|-------------------------------------|--------|------------------------------------|--------|--------------------------|
| | | | 1 Car | 2 Cars | 1 Car | 2 Cars | 1 Car | 2 Cars | 1 Car | 2 Cars | |
| 450 | 1.0 | 3.0 | 20/20 | 30/20 | 6 | 11 | 4/4 | 8/4 | 6/6 | 6/6 | 12 |
| | 1.5 | 4.5 | 30/20 | 50/30 | 8 | 16 | 7/4 | 16/6 | 6/6 | 6/6 | 16 |
| | 1.75 | 5.2 | 30/20 | 50/30 | 10 | 19 | 8/4 | 16/6 | 6/6 | 6/6 | 19 |
| 550 | 1.0 | 3.6 | 20/20 | 40/20 | 7 | 13 | 5/4 | 10/4 | 6/6 | 6/6 | 14 |
| | 1.5 | 5.4 | 30/20 | 50/30 | 10 | 19 | 8/4 | 16/6 | 6/6 | 6/6 | 19 |
| | 1.75 | 6.3 | 30/20 | 60/40 | 12 | 23 | 10/4 | 18/10 | 6/6 | 10/6 | 23 |
| 600 | 1.0 | 3.9 | 20/20 | 40/30 | 8 | 15 | 6/4 | 11/6 | 6/6 | 6/6 | 16 |
| | 1.5 | 5.9 | 30/20 | 60/40 | 11 | 21 | 9/4 | 17/10 | 6/6 | 10/6 | 21 |
| | 1.75 | 6.9 | 40/20 | 75/40 | 13 | 25 | 11/4 | 25/10 | 6/6 | 10/6 | 25 |
| 700 | 1.0 | 4.6 | 30/20 | 50/30 | 9 | 17 | 7/4 | 16/6 | 6/6 | 6/6 | 18 |
| | 1.5 | 6.9 | 40/20 | 75/40 | 13 | 25 | 11/4 | 25/10 | 6/6 | 10/6 | 25 |
| | 1.75 | 8.1 | 40/30 | 100/50 | 15 | 29 | 13/6 | 35/16 | 6/6 | 16/6 | 29 |
| 750 | 1.0 | 4.9 | 30/20 | 50/30 | 9 | 18 | 8/4 | 16/6 | 6/6 | 6/6 | 18 |
| | 1.5 | 7.4 | 40/20 | 75/40 | 13 | 26 | 12/4 | 25/10 | 6/6 | 10/6 | 25 |
| | 1.75 | 8.6 | 40/30 | 100/50 | 15 | 30 | 13/6 | 35/16 | 6/6 | 16/6 | 29 |
| 900 | 1.0 | 5.9 | 30/20 | 60/40 | 11 | 21 | 9/4 | 17/10 | 6/6 | 10/6 | 21 |
| | 1.5 | 8.9 | 50/30 | 100/50 | 16 | 31 | 16/6 | 35/16 | 6/6 | 16/6 | 31 |
| | 1.75 | 10.3 | 50/30 | 100/60 | 19 | 37 | 16/6 | 35/16 | 6/6 | 16/10 | 37 |
| 1000 | 1.0 | 6.6 | 40/20 | 75/40 | 12 | 23 | 10/4 | 25/10 | 6/6 | 10/6 | 23 |
| | 1.5 | 9.8 | 50/30 | 100/60 | 18 | 36 | 16/6 | 35/16 | 6/6 | 16/10 | 35 |
| | 1.75 | 11.5 | 60/40 | 125/75 | 21 | 41 | 18/10 | 50/25 | 10/6 | 25/10 | 40 |
| 1150 | 1.0 | 7.5 | 40/20 | 75/40 | 14 | 27 | 12/4 | 25/10 | 6/6 | 10/6 | 27 |
| | 1.5 | 11.3 | 60/40 | 125/75 | 21 | 41 | 18/10 | 50/25 | 10/6 | 25/10 | 40 |
| | 1.75 | 13.2 | 75/40 | 125/75 | 24 | 47 | 25/10 | 50/25 | 10/6 | 25/10 | 46 |
| 1350 | 1.0 | 8.9 | 50/30 | 100/50 | 16 | 31 | 16/6 | 35/16 | 6/6 | 16/6 | 31 |
| | 1.5 | 13.3 | 75/40 | 125/75 | 24 | 47 | 25/10 | 50/25 | 10/6 | 25/10 | 46 |
| | 1.75 | 15.5 | 75/50 | 125/100 | 27 | 54 | 25/16 | 50/35 | 10/6 | 25/16 | 52 |
| 1600 | 1.0 | 10.5 | 50/30 | 100/60 | 19 | 37 | 16/6 | 35/16 | 6/6 | 16/10 | 37 |
| | 1.5 | 15.7 | 75/50 | 150/100 | 28 | 56 | 25/16 | 70/35 | 10/6 | 25/16 | 54 |
| | 1.75 | 18.3 | 75/50 | 150/100 | 32 | 64 | 29/16 | 70/35 | 10/6 | 25/16 | 61 |

* Power cable size is assuming max. 50 m to maintain the maximum allowable voltage drop of 5% based on the maximum starting current at operating with full load



GLOBAL SALES & SERVICE NETWORK

AFRICA

ALGERIA
Tel : 213-555-732-155
E-mail : xeletec.sarl@gmail.com

EGYPT
Tel : 20-1-066628331
E-mail : overseas@iet-hyundailevator.com

ETHIOPIA
Tel : 251-911-851313
E-mail : ieethiopia1@gmail.com

KENYA
Tel : 254-722-667984
E-mail : lyall@skytechelevators.com

LIBYA
Tel : 218-91-735-0745
E-mail : info@lec-hyundailevator.com

NIGERIA
Tel : 234-803-7352222
E-mail : nicolas@orionelevators.com

TUNISIA
Tel : 216-71-886-980
E-mail : ideal.commercial@gnet.tn

ASIA

CAMBODIA
Tel : 855-90-216-490
E-mail : khleea7@gmail.com

CHINA
[Head Office (Factory)]
Tel : 86-21-6485-8600
E-mail : 2017407@hdel.co.kr

HONG KONG

Tel : 86-755-2585-5903
E-mail : hyundaisz@naver.com

INDIA
Tel : 91-20-3250-2190
E-mail : mmotwani@kcl.kineticindia.com
helco2019906@hdel.co.kr

INDONESIA

Tel : 62-21-631-8444
E-mail : helindo@dnet.net.id

JAPAN

Tel : 81-3-3436-5117
E-mail : yoshimi-saitoh@daiko-s.co.jp

MALAYSIA

Tel : 603-6733-2999
E-mail : brian.lee@hem.com.my

MONGOLIA

Tel : 976-11-7015-3333
E-mail : ch-highig@yahoo.com

MYANMAR

Tel : 959-400-444598
E-mail : info@integral-ltd.com

PHILIPPINES

Tel : 632-716-0905
E-mail : hyco@pltdsl.net

SRILANKA

Tel : 94-11-2629208
E-mail : rienzie@abansgroup.com

THAILAND

Tel : 660-2348-8046
E-mail : monchaika@loxely.co.th

VIETNAM

Tel : 84-4-6282-2978
E-mail : sbpark@hdel.co.kr

EUROPE & CIS

ARMENIA

Tel : 971-4-440-49-27
E-mail : natalya@fd-jcb.am

AZERBAIJAN

Tel : 994-12-555-1744-46
E-mail : office@astexnika.com

KAZAKHSTAN

Tel : 7-717-253-8072
E-mail : dmitriy@hdel.kz

KYRGYZSTAN

Tel : 996-312-474205
E-mail : a918882@hotmail.com

MAKEDONIA

Tel : 90-216-488-8000
E-mail : hakan.ek@hmf.com.tr

POLAND

Tel : 48-61-820-8551
E-mail : mailto:maciej.dziurkiewicz@omilifts.com

RUSSIA

[Moscow]
Tel : 7-495-514-00-32
E-mail : mastersiverlift@gmail.com

[Vladivostok]

Tel : 7-423-222-98-73
E-mail : Kirienkoboris@hotmail.com

TURKEY

Tel : 90-216-488-8000
E-mail : hakan.ek@hmf.com.tr

MIDDLE EAST

BAHRAIN

Tel : 973-17702468
E-mail : elevators@nassgroup.com

IRAN

Tel : 98-21-8869-8727-36
E-mail : jafari_hyundai@yahoo.com

IRAQ

Tel : 964-7901336498
E-mail : arjoon_co@yahoo.com

ISRAEL

Tel : 972-3-9630000
E-mail : elib@ledico.com

JORDAN

Tel : 962-79-5526-713
E-mail : m_boseio@orange.jo

KUWAIT

Tel : 965-22-457-925
E-mail : info@deal-trade.com

OMAN

Tel : 968-9286-4334
E-mail : helcomct@gmail.com

PAKISTAN

Tel : 92-21-34320601-5
E-mail : iitcpk@gmail.com

QATAR

Tel : 974-436-6689
E-mail : hmhqtar@yahoo.com

KOREA

SEOUL
ICHEON
JAPAN

SAUDI ARABIA

Tel : 966-12-6663555
E-mail : waqqas@nsc-ksa.com

SYRIA

Tel : 963-933-234134
E-mail : terzian@scs-net.org

UAE

Tel : 971-4-294-4475
E-mail : dubai@bhnoe-hyundai.com

YEMEN

Tel : 967-1-450556
E-mail : waha62@hotmail.com

NORTH/SOUTH AMERICA

ARGENTINA

Tel : 5411-3220-2878
E-mail : oqueta@skylift.com.ar

BRAZIL

[Head office (Factory)]
Tel : 55-51-3037-8686
E-mail : syyun@hdel.co.kr

[Sao Paulo (Sales office)]
Tel : 55-11-5102-3380
E-mail : mrsin@hdel.co.kr

CHILE

Tel : 56-2-2635-3394
E-mail : lcid@cyce.cl

COLOMBIA

Tel : 57-4-444-9297
E-mail : sgiraldo@solucionesverticales.com.co

CUBA

Tel : 537-699-3412
E-mail : habanajdkim@gmail.com

DOMINICAN REPUBLIC

Tel : 809-566-7474
E-mail : cesar@eleva.com.do

ECUADOR

Tel : 593-933-234134
E-mail : ascensorhyundai@yahoo.com

GUATEMALA

Tel : 502-2388-0000
E-mail : cd.elevatec@grupomisol.com

MEXICO

Tel : 52-55-5379-7418
E-mail : yurich@insertechmx.com

PANAMA

Tel : 507-230-3166
E-mail : asucre@elevadoresdelistmo.com

PERU

Tel : 51-1-436-1028
E-mail : yho7777@gmail.com

VENEZUELA

Tel : 58-212-232-8263
E-mail : ojssimon@gmail.com

HEAD OFFICE & FACTORY

2091, Gyeongchungdero, Bubal-eup,
Icheon-si, Gyeonggi-do, 467-734, Korea
tel 82. 2. 3670. 0876 / 0660
fax 82. 2. 3672. 8763~4

SEOUL OFFICE (GLOBAL SALES DIV.)

9F, East Bldg., Hyundai Group Bldg., 194,
Youlgok-ro, jongno-gu, Seoul, 110-754, Korea
tel 82. 2. 3670. 0876 / 0660
fax 82. 2. 3672. 8763~4