



# LG COMMERCIAL LAUNDRY

**STEEL CONTROL PANEL**

**REVERSIBLE DRYER DOOR**

**EASY SLIDING**



**GIANT-C DRYER**

## INSTALLATION FLEXIBILITY

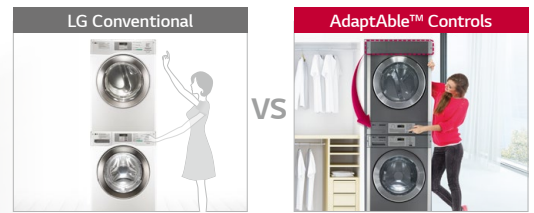
Install laundry appliances to meet your needs and your location, with side by side or stacked configurations. The units are easy to move and reinstall in a new location.



\* Parts required for stacking are sold separately.

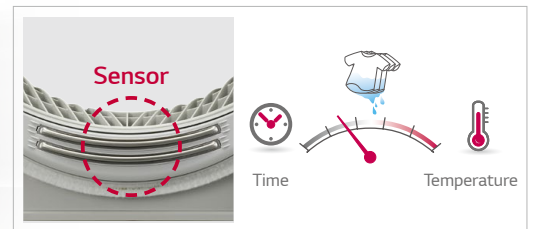
## ADAPTABLE™ CONTROLS

Easy to reach AdaptAble™ controls let you save space without compromising capacity. The controls are always within reach and are versatile enough to meet your needs.



## SENSOR DRY

The electrode sensor automatically monitors temperature and moisture in the clothes and adjusts final drying time for excellent drying performance. Of course, time dry is available, too.



## EASY REPAIR SYSTEM

LG commercial laundry products are all front service accessible. Valuable service time will never be wasted gaining access to key service elements.



## EASY PROGRAMMING

Intuitive programming controls allow operators to choose from a variety of functions and programs, including price, cycle time, cycle parameters, spin-speed and more, ensuring that all washing requirements are met.



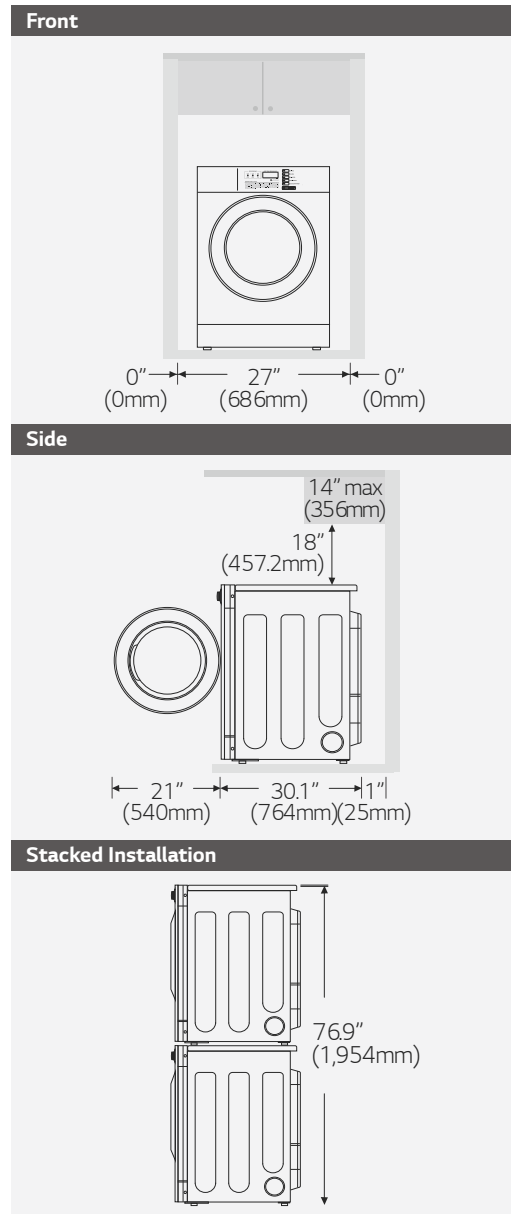
# GIANT-C DRYER SPECIFICATIONS

		Gas RN1329**** / GDP1329*G**	Electric RV1329**** / GDP1329*E** / TD-V1329EA*
<b>CYLINDER</b>			
Drum Volume	cu.ft (ℓ)	7.3 (207)	7.3 (207)
Diameter	in. (mm)	26.1 (663)	26.1 (663)
Depth	in. (mm)	22.5 (570.6)	22.5 (570.6)
<b>DIMENSIONS</b>			
Product (WxHxD)	in	27 x 38.7 x 30.1	27 x 38.7 x 30.1
	mm	686 x 983 x 764	686 x 983 x 764
With Door Open	in. (mm)	49.8 (1,264)	49.8 (1,264)
Carton (WxHxD)	in	29.9 x 46.1.4 x 31.3	29.9 x 46.1.4 x 31.3
	mm	760 x 1,170x 795	760 x 1,170x 795
Weight (Product/Carton)	lb (kg)	130 (59)/143 (65)	130 (59)/143 (65)
<b>RATING</b>			
Electric Ratings	V/Hz/A	120/60/5	120 (240)/60/26
		220-240/50/2.4	220-240/50/22.5
		220/60/3	220/60/21
		-	240/50/19.5 <sup>1)</sup>
<b>SYSTEM &amp; CONTROL</b>			
Heating Type		Gas (LNG/LPG) <sup>2)</sup>	Electric
Type of Drying		Ventilation	Ventilation
Air Flow	CFM	160	160
Motor	kW	0.4 (120V/60Hz)	0.4 (120V/60Hz)
		0.3 (220-240V/50Hz)	0.3 (220-240V/50Hz)
		0.4 (220V/60Hz)	0.4 (220V/60Hz)
Gas Ratings	BTU/hour	20,000	-
Heating Element	W	-	120V/220V 5,400 230-240V 4,500 (Australia)
Program Duration in Minutes (Default)	min	45 (NA)/50 (EU)/45 (Australia)	45 (NA)/50 (EU)/45 (Australia)
<b>CONNECTIONS</b>			
Air Outlet Diameter	in. (mm)	4 (100)	4 (100)
Exhaust Airflow Diameter	in. (mm)	4 (100)	4 (100)
<b>PROGRAMS</b>			
Program List		High Temp	High Temp
		Med Temp	Med Temp
		Low Temp	Low Temp
		No Heat	No Heat
<b>EXTERNAL FINISH</b>			
Drum		Alcosta	Alcosta

\* Dimensions and weights are approximate. \* Design, features and specifications subject to change without notice.

\* Some models may not be available for sale in certain countries. \* Model name may vary by country.

1) 4,500W for some countries due to power limitation (e.g. Australia), 2) Gas type depends on country sales model.



## PRODUCT IMAGE

